



LEFROY BROOKS

IBROC HOUSE ESSEX ROAD
HODDESDON HERTS EN11 0QS UK
T: +44 (0)1992 708 316 F: +44 (0)1992 708 317

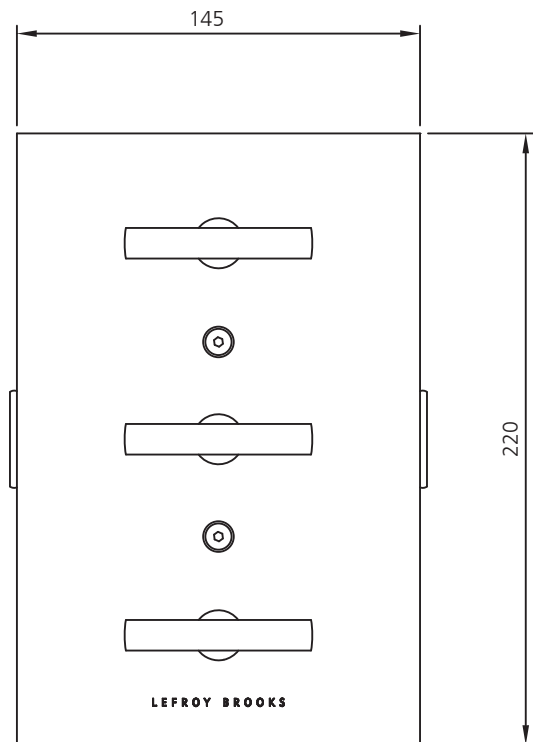
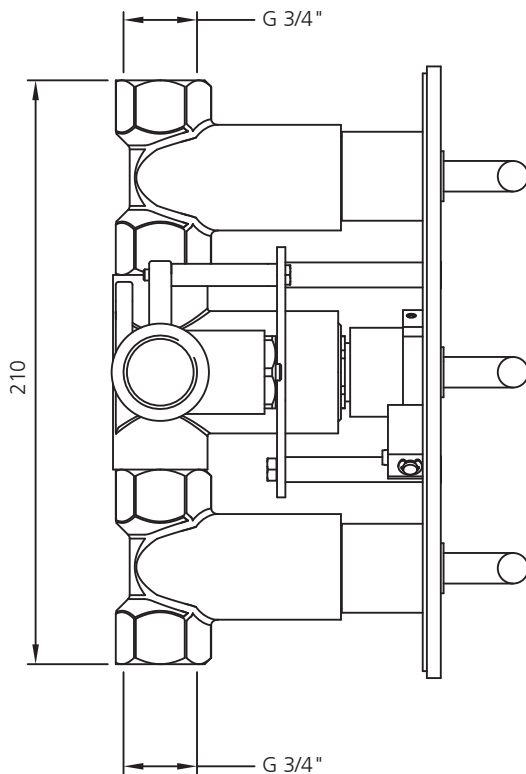
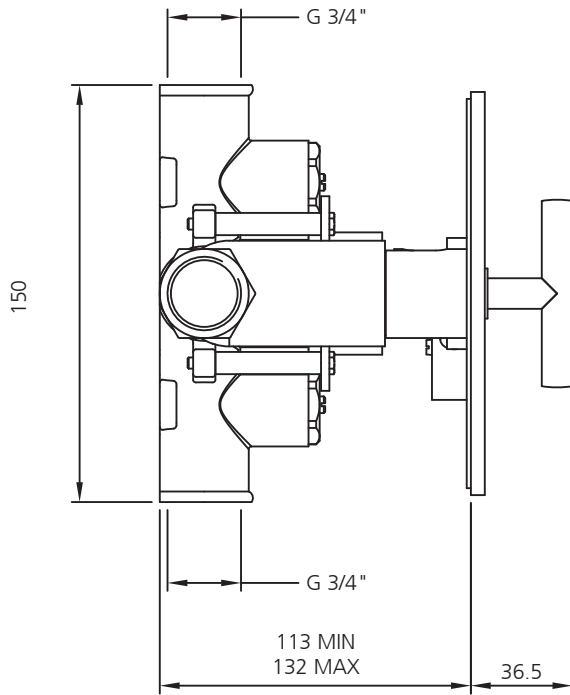
XO-5300

JO THERMOSTATIC VALVE

DIMENSIONAL DATA SHEET

DATE: 9 September 2010

NUMBER: 30 069 5300 A



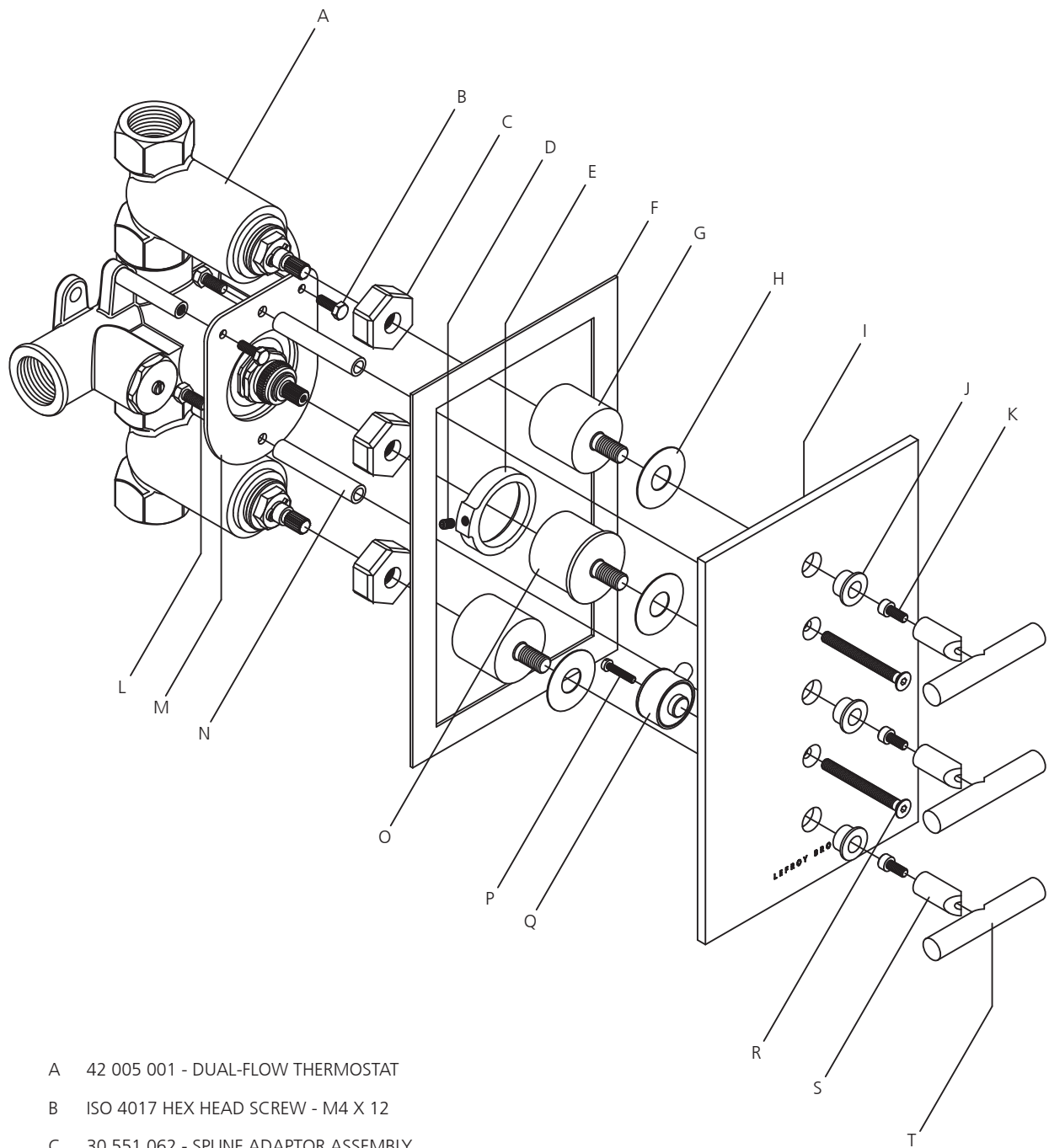
DIMENSIONS IN MILLIMETRES

©COPYRIGHT 2001-2010. CHRISTO LEFROY BROOKS. ALL RIGHTS RESERVED.

WHILST EVERY EFFORT IS MADE TO ENSURE THE ACCURACY OF THESE DATA SHEETS THEY ARE SUBJECT TO CHANGE WITHOUT NOTICE AS PART OF THE COMPANY'S PRODUCT DEVELOPMENT PROCESS

XO-5300

JO THERMOSTATIC VALVE



- | | | | |
|---|---------------------------------------|---|---|
| A | 42 005 001 - DUAL-FLOW THERMOSTAT | M | 30 062 050 - FACEPLATE FIXING RING |
| B | ISO 4017 HEX HEAD SCREW - M4 X 12 | N | 30 050 018 - FACEPLATE FIXING POST |
| C | 30 551 062 - SPLINE ADAPTOR ASSEMBLY | O | 30 011 004 - OUTSIDE DRUM |
| D | ISO 4026 SET SCREW - M4 X 6 | P | ISO 1207 SLOT6 HEAD SCREW - M3 X 16 |
| E | 30 011 002 - TEMPERATURE SETTING RING | Q | 30 551 001 - SET POINT PLUNGER ASSEMBLY |
| F | 30 048 020 - GASKET | R | ISO 10442 CSK SOCKET HEAD SCREW - M5 X 35 |
| G | 30 011 001 - OUTSIDE DRUM | S | 30 005 045 - HANDLE SHAFT |
| H | 30 048 033 - THRUST WASHER | T | 30 005 044 - HANDLE T-BAR |
| I | 30 030 301 - FACEPLATE | | |
| J | 30 060 004 - BUSH | | |
| K | ISO 1207 SLOT HEAD SCREW - M4 X 10 | | |
| L | ISO 4017 HEX HEAD SCREW - M5 X 10 | | |